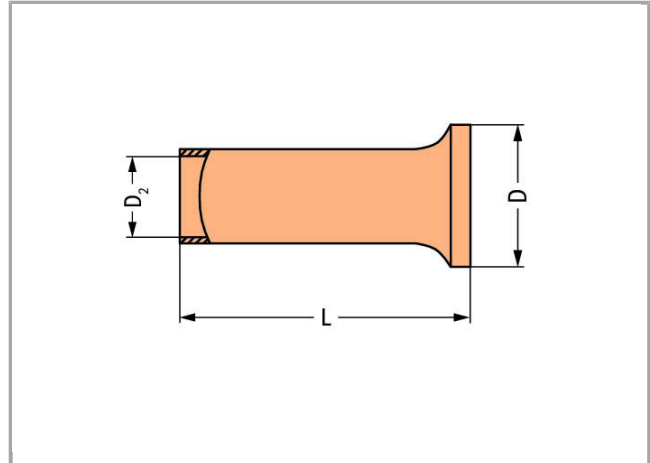
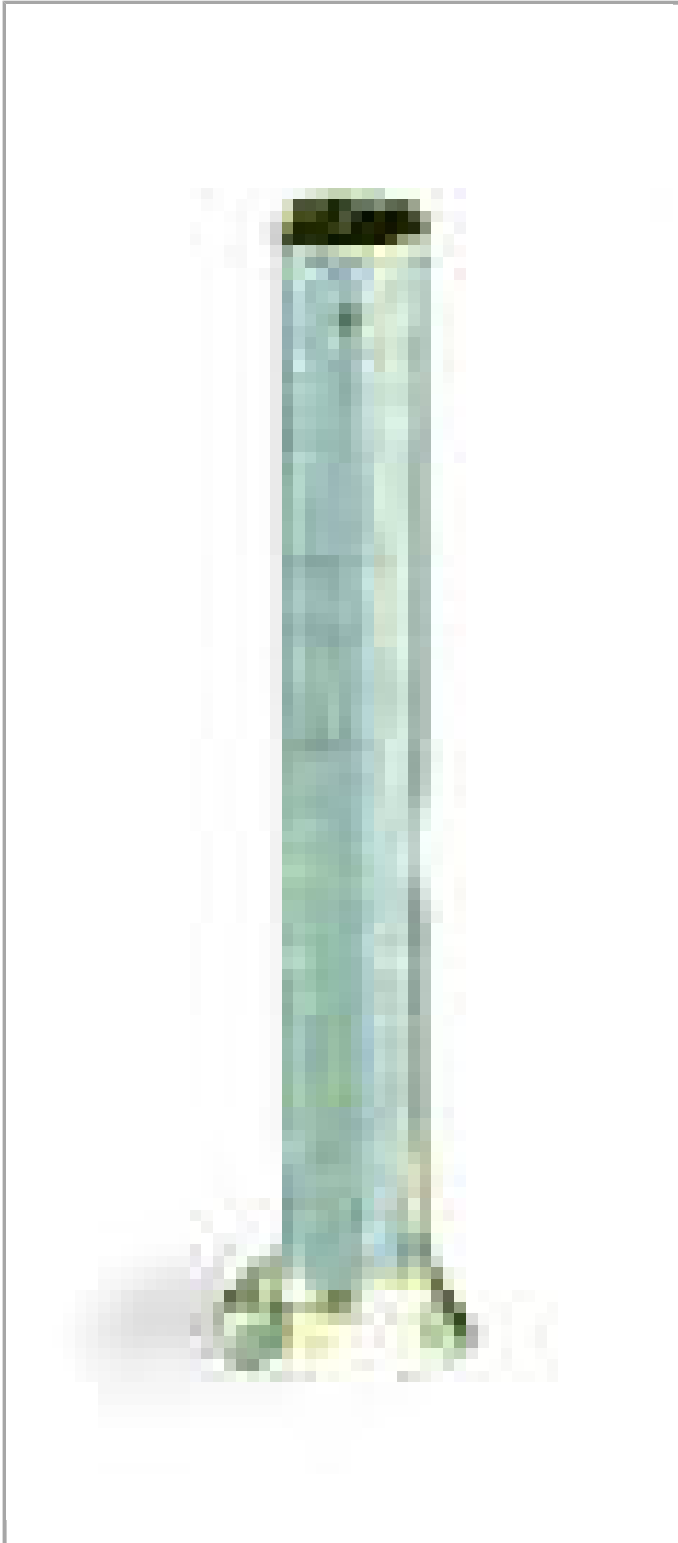


Data sheet | Item number: 216-131

Ferrule; Sleeve for 0.25 mm² / AWG 24; uninsulated; electro-tin plated



216-131



RoHS 
Compliant



Data

Technical Data

Main product function	Ferrule
Querschnitt Hülse AWG	24 AWG
Hülse für	0.25 mm ²

Connection data

Strip length	7 mm / 0.28 inch
--------------	------------------

Geometrical Data

Length	7 mm
Diameter	1.7 mm
Diameter 2	0.75 mm

Material Data

Weight	0.029 g
--------	---------

Commercial data

Product Group	2 (Terminal Block Accessories)
Country of origin	DE
GTIN	4017332277570
Customs Tariff No.	85369010000

Downloads

Documentation

Bid Text

216-131	doc 24.6 kB	Download
---------	----------------	----------



Subject to changes.
